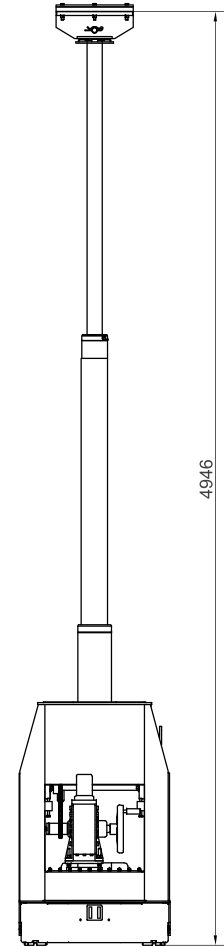
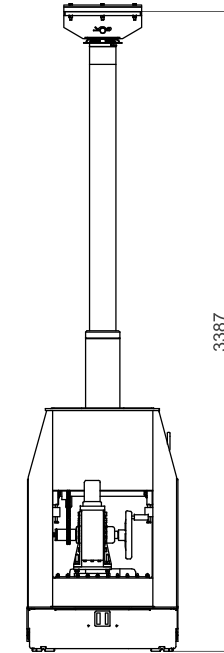
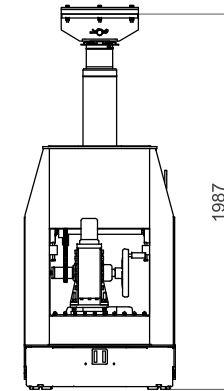
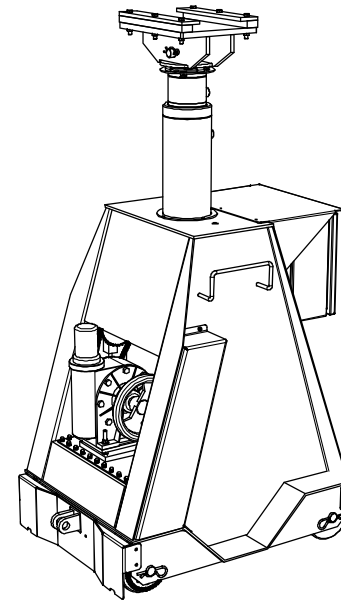
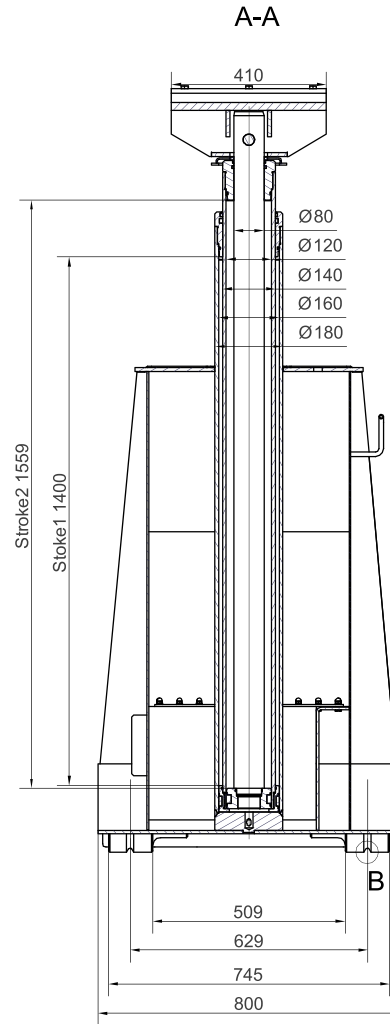
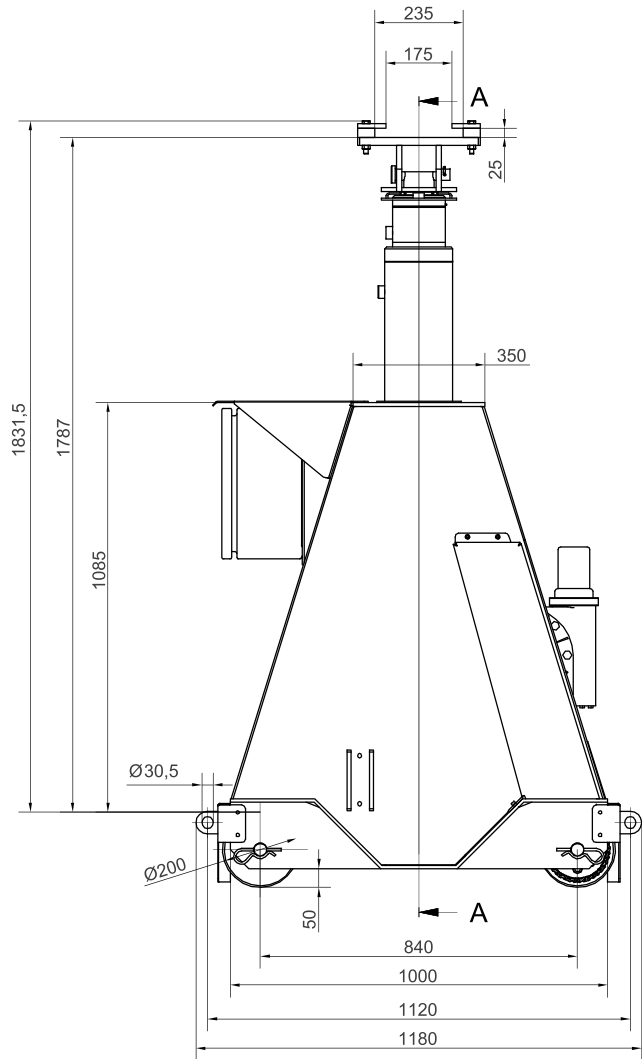


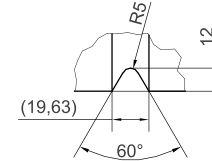
Working load:

Stage 1: 150 kN @ 75 bar

Stage 2: 150 kN @ 133 bar



B (1:2)



DRAWN: C.K.	DATE: 28-5-2006	SCALE: 1:10	TEST PRESS: 166 bar	WORKING PRESS: 133 bar	MATERIAL: APPROVED:	REMOVE BURRS OF INTERSECTING HOLES. BREAK SHARP EDGES (S1-4.3x45S)	TOLERANCE UNLESS OTHERWISE STATED: ANGLE: ± 0,5; LINEAR: ± 0,5
			OPALSTRAAT 44, 7054 TS HENGLO HOLLAND TELEFON: 0174-20200 FAX: 0174-243038 E-MAIL: INFO@HYDROSPEX.NL		CYLINDER NAME: Super Lift 60 Te TYPE: SL60-SP SERIAL NO: 02728.01.00.00		
REV: A							FROM: A2